

RGB20X-PTZ-WH 20X PTZ Camera



Front View



Rear View

Key Features

- High speed optical zoom
- High performance in low light scenarios with Wide Dynamic Range
- Full 1920x1080p HD Resolutions up to 60 frames per second
- H.265/H.264 Dual Stream Output Adapted to Different Network Environments
- Pan and Tilt Control
- Wide Application
- Low-power Sleep Function

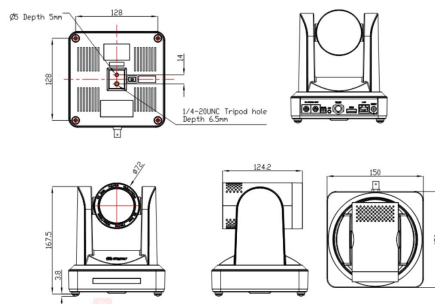
Specification

Connectors	Video(Output)	HDMI	1×HDMI-A
		SDI	1×BNC
		LAN	1×RJ45
	Audio	Input	1×3.5mm Stereo Jack
Communication	RS232		2×DIN 8
	RS485		1×2 Pin Connector
	Network		1×100Mbps (10/100BASE-TX)
Power			1×HEC3800 DC Socket
Performance	Camera	Optical Zoom	20X f=5.5~110mm
		View Angle	3.3°~ 54.7°
		AV	F1.6 ~ F3.5
		Digital Zoom	10X
		Minimum Illumination	0.5Lux (F1.8, AGC ON)
		DNR	2D & 3D DNR
		White Balance	Auto/Manual/One Push/3000K/3500K/4000K/4500K/5000K/5500K/6000K/6500K/7000K
		Focus	Auto/Manual
		Aperture/Electronic Shutter	Auto/Manual
		BLC	ON/OFF
		WDR	OFF/Dynamic Level Adjustment
		Video Adjustment	Brightness/Color/Saturation/Contrast/Sharpness/B/W mode/Gamma curve
		SNR	>55dB
	Effective Pixels	2.07m,16:9	
	Pan-and-Tilt Parameter	Pan/Tilt Movement	-170°~+170°/-30°~+90°
		Pan/Tilt Control Speed	0.1~60°/S; 0.1~30°/S
Preset Speed/Quantity		Pan:60°/S, Tilt:30°/S; Up to 255 preset positions (10 remote control)	
Audio Compression Format	AAC,MP3,G.711A		
Video Compression Format	H.264, H.265,Dual Streaming Output		
Output Resolutions	720p25/29.97/30/50/59.94/60 1080p25/30/29.97/30/50/59.94/60		
Control Protocol	VISCA Pelco-D Pelco-P		
Baud Rate(bps)	115200 9600 4800 2400bps		
Network Protocol	RTSP RTMP ONVIF GB/T28181 VISCA		
Supported Standards	HDMI	1.3	
	SDI	SMPTE 425M (Level A & B) SMPTE 424M SMPTE 292M SMPTE 259M-C DVB-ASI	
Power	Input Voltage	DC12V/1.5A	
	Max Power	12W	
Environment	Temperature	-10℃~50℃	
	Humidity	20%~80%	
Physical	Weight	Net	1.4kg
	Dimension	Net	150mm×150mm×167.5mm

Order Codes

Product Code	Item
981-0011-02-0	RGB20X-PTZ-WH 20X PTZ Camera

Dimension



Tel: +86-592-5771197 | Fax: +86-592-5788216 | E-mail: sales@rgblink.com

Headquarter: S601 Weiye Building,Torch Hi-Tech Development Zone,Xiamen,Fujian,P.R.C.

Specifications are correct at time of printing and subject to change or alteration without notice.

